

REF 100-11/12

# DC centrifugal compact fan

single inlet



## ebm-papst St. Georgen GmbH & Co. KG

Hermann-Papst-Str. 1  
D-78112 St. Georgen  
Phone +49 (0) 7724 81-0  
Fax +49 (0) 7724 81-1309  
info2@de.ebmpapst.com  
www.ebmpapst.com

## Nominal data

Type	REF 100-11/12	
Nominal voltage	VDC	12
Nominal voltage range	VDC	8 .. 15
Speed	min <sup>-1</sup>	5400
Power input	W	7.5
Min. ambient temperature	°C	-20
Max. ambient temperature	°C	75
Air flow	m <sup>3</sup> /h	86
Sound power level	B	6.3

ml = Max. load · me = Max. efficiency · fa = Running at free air · cs = Customer specs · cu = Customer unit  
Subject to alterations



# DC centrifugal compact fan

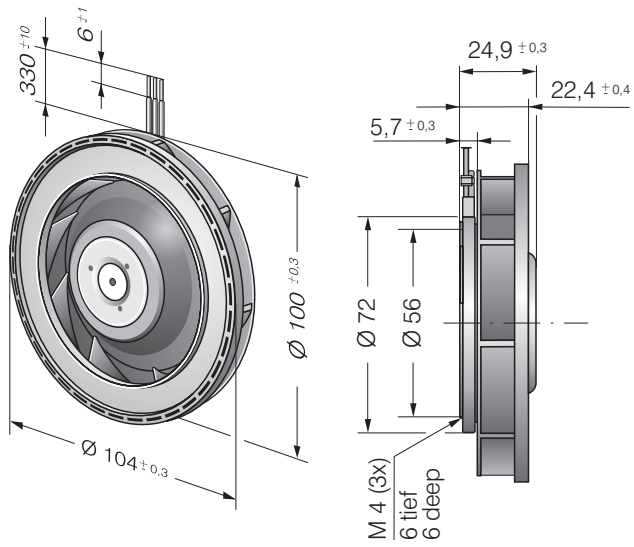
single inlet

## Technical features

<b>General description</b>	Backward-curved impeller
<b>Mass</b>	0.160 kg
<b>Dimensions</b>	100 Ø x 25 mm
<b>Material of impeller</b>	Fiberglass-reinforced plastic
<b>Housing material</b>	Scroll housing of fiberglass-reinforced plastic.
<b>Direction of air flow</b>	Axial air intake, centrifugal air exhaust out of the outlet.
<b>Direction of rotation</b>	Right, looking at rotor
<b>Bearing</b>	Ball bearings
<b>Lifetime L10 at 40 °C</b>	80000 h
<b>Lifetime L10 at maximum temperature</b>	30000 h
<b>Connection line</b>	With single strands AWG 22, TR 64
<b>Motor protection</b>	Protected against reverse polarity and locking.
<b>Locked-rotor protection</b>	With electronic blocking and overload protection
<b>Approval</b>	CE
<b>Option</b>	Speed signal



## Product drawing



## Charts: Air flow

